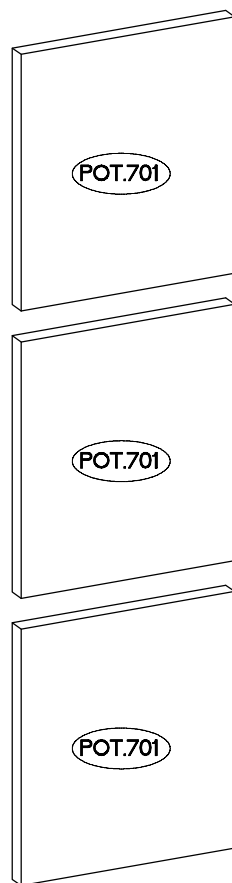
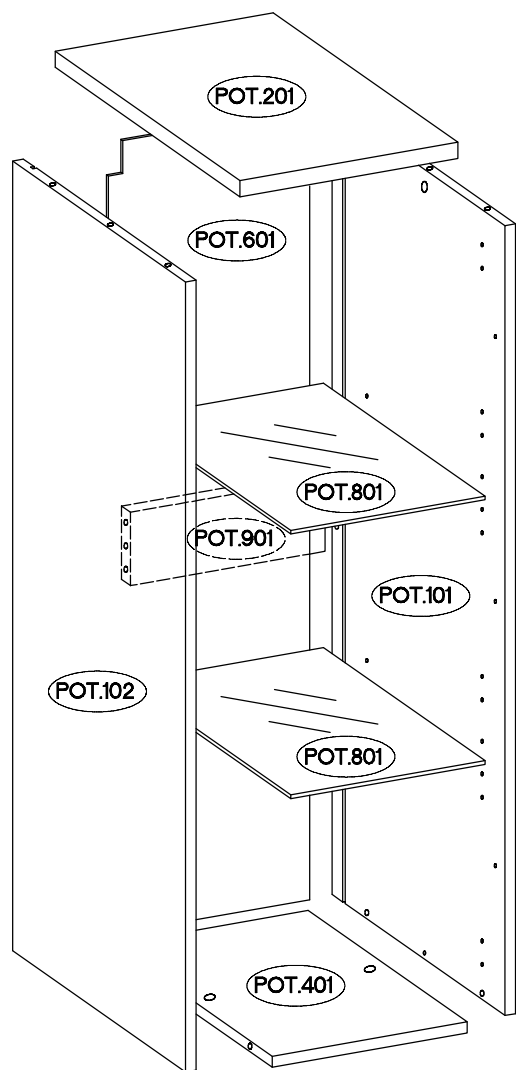
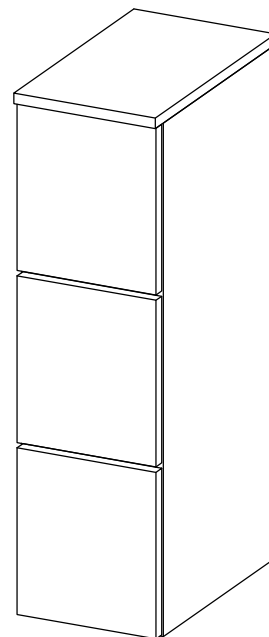
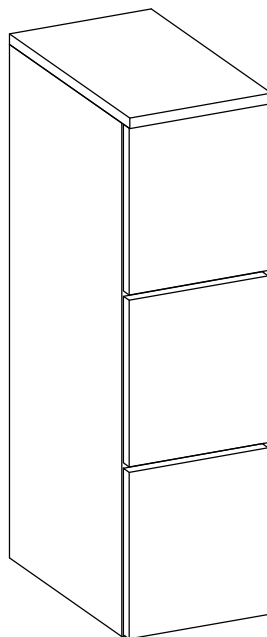




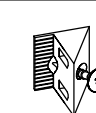

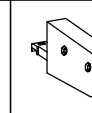
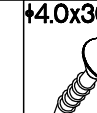
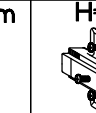
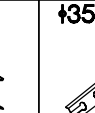

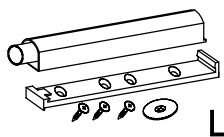
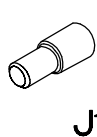

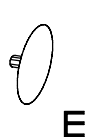





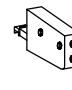


PORTO 132

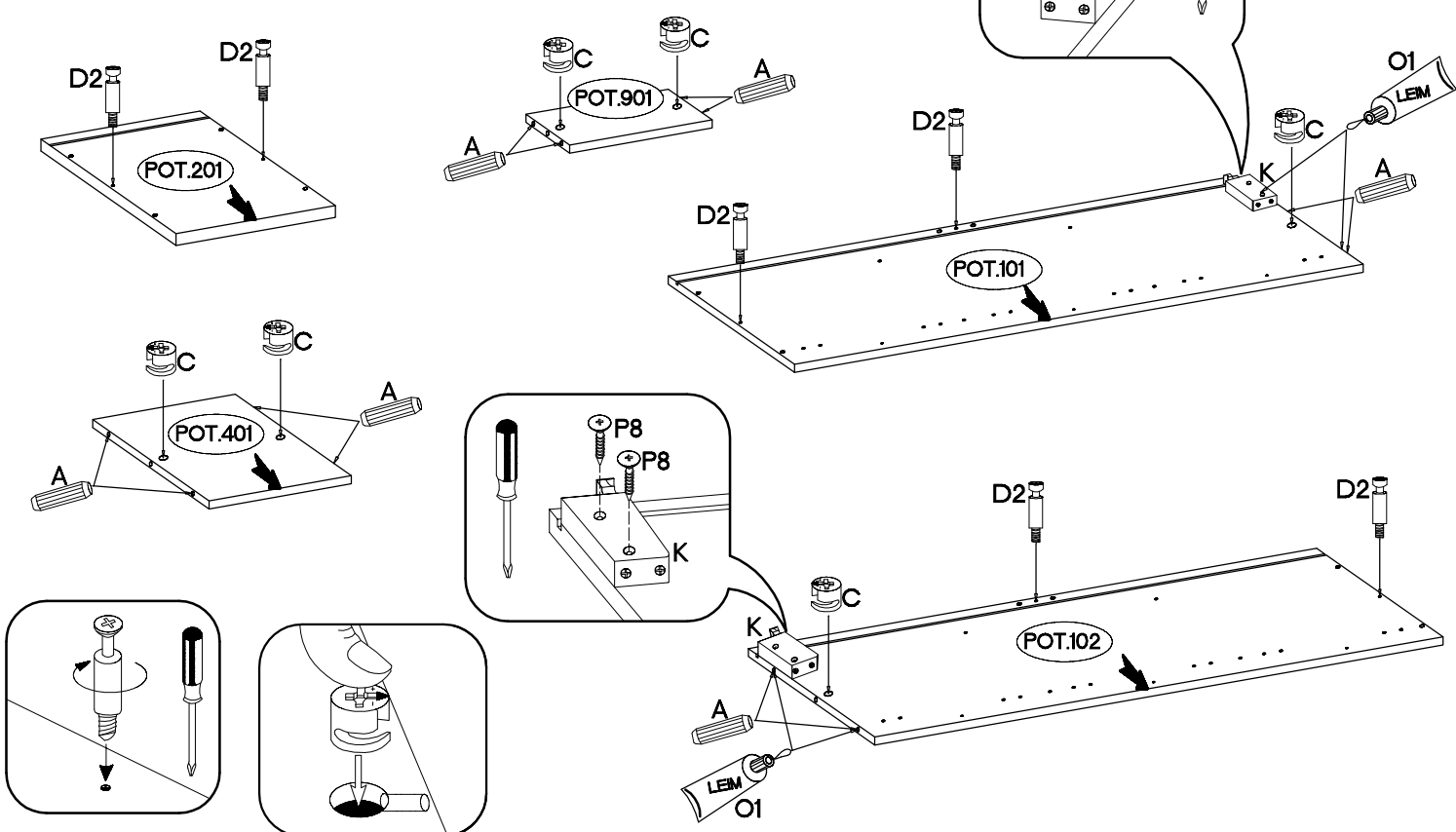


POT.401, POT.801 =  max. 2kg

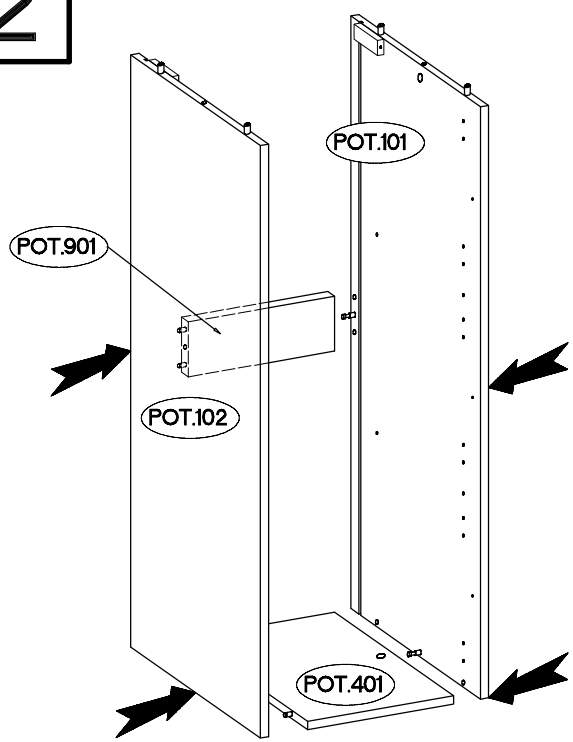
 L=20mm D2 6	 +15/12mm C 6	 +8x30mm A 12	 L 4	 O1 1	 K 2	 +4.0x30mm P8 4	 H=0 H 6	 +35/0mm G 6	 +3.5x13mm P5 12
 L21 3						 J12 8	 P7 3	 E 4	

1

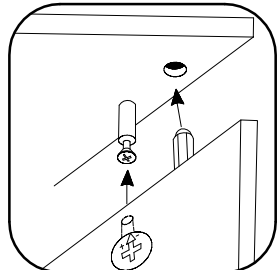
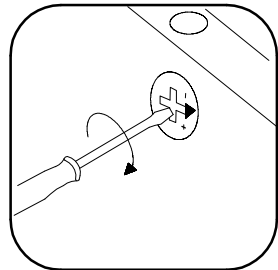
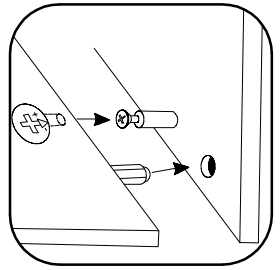
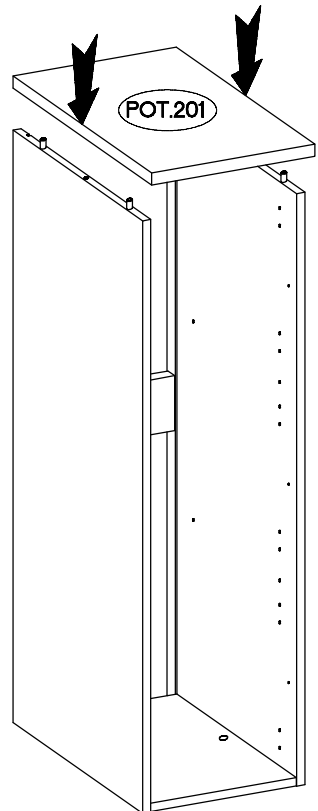
L=20mm  D2	#5/12mm  C	+8x30mm  A	 K	+4.0x30mm  P8	 O1
6	6	12	2	4	1



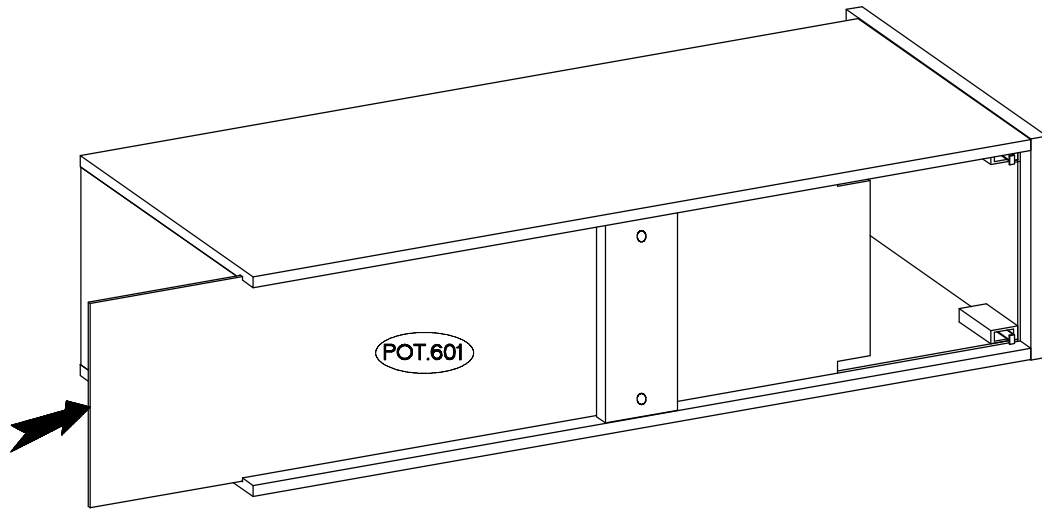
2



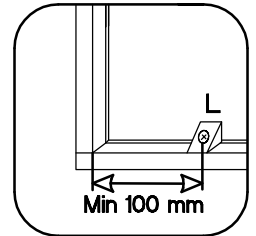
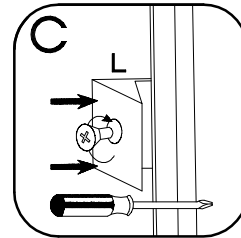
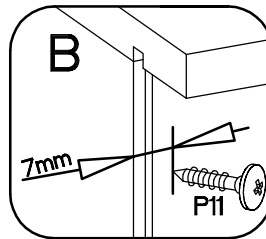
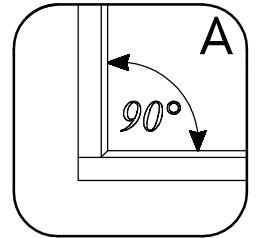
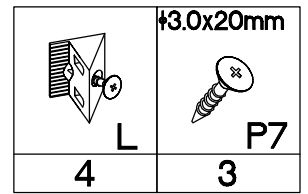
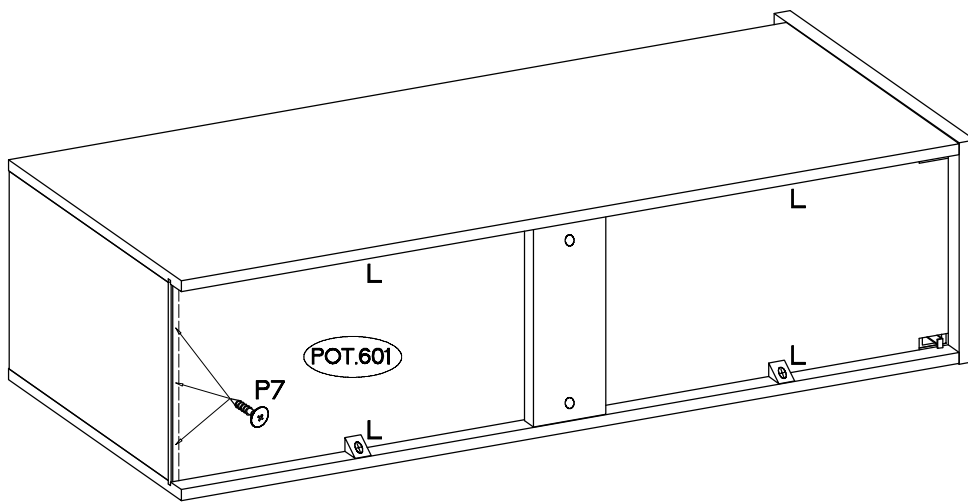
3



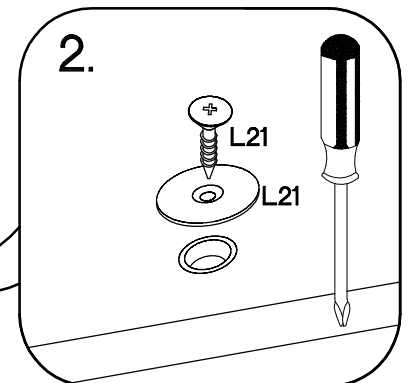
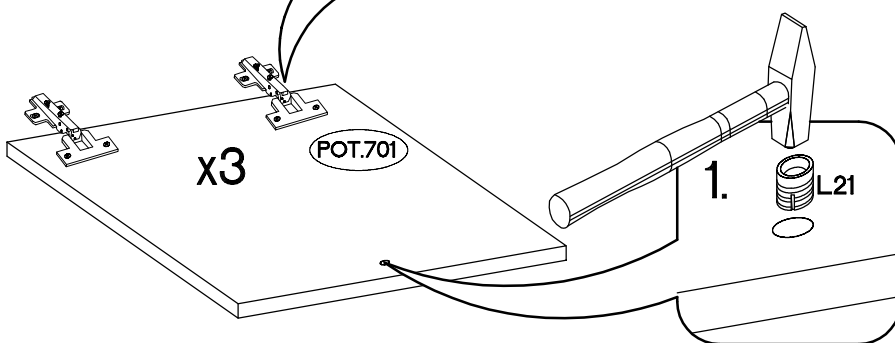
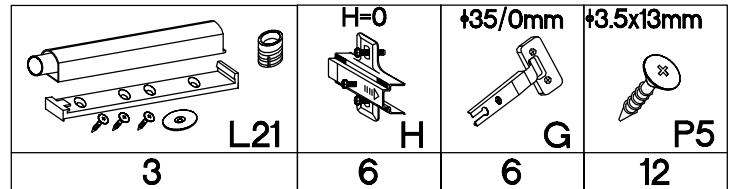
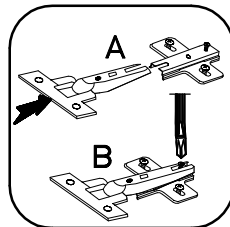
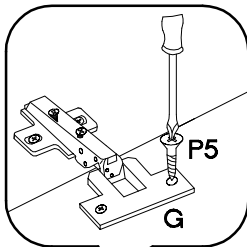
4



5



6



7

